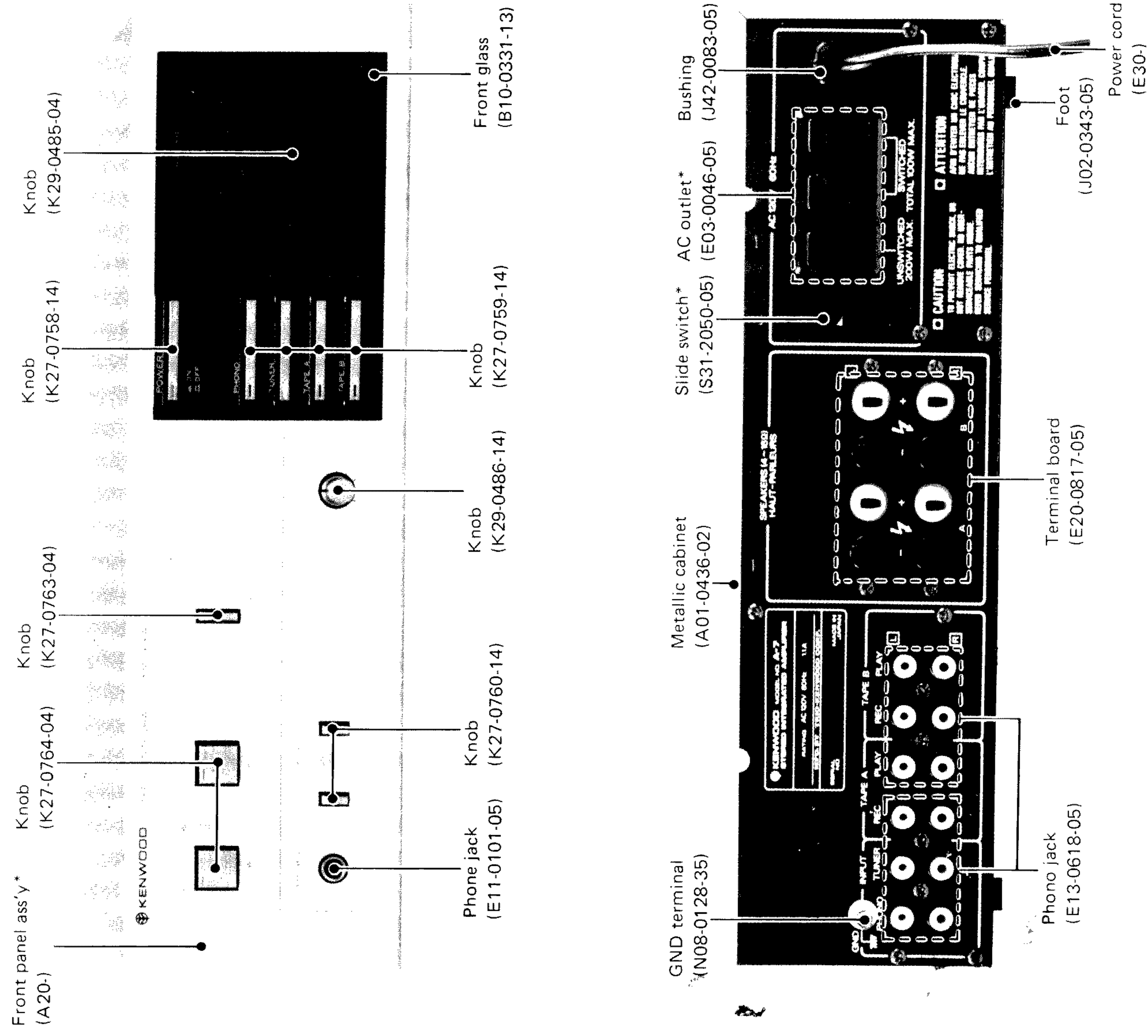
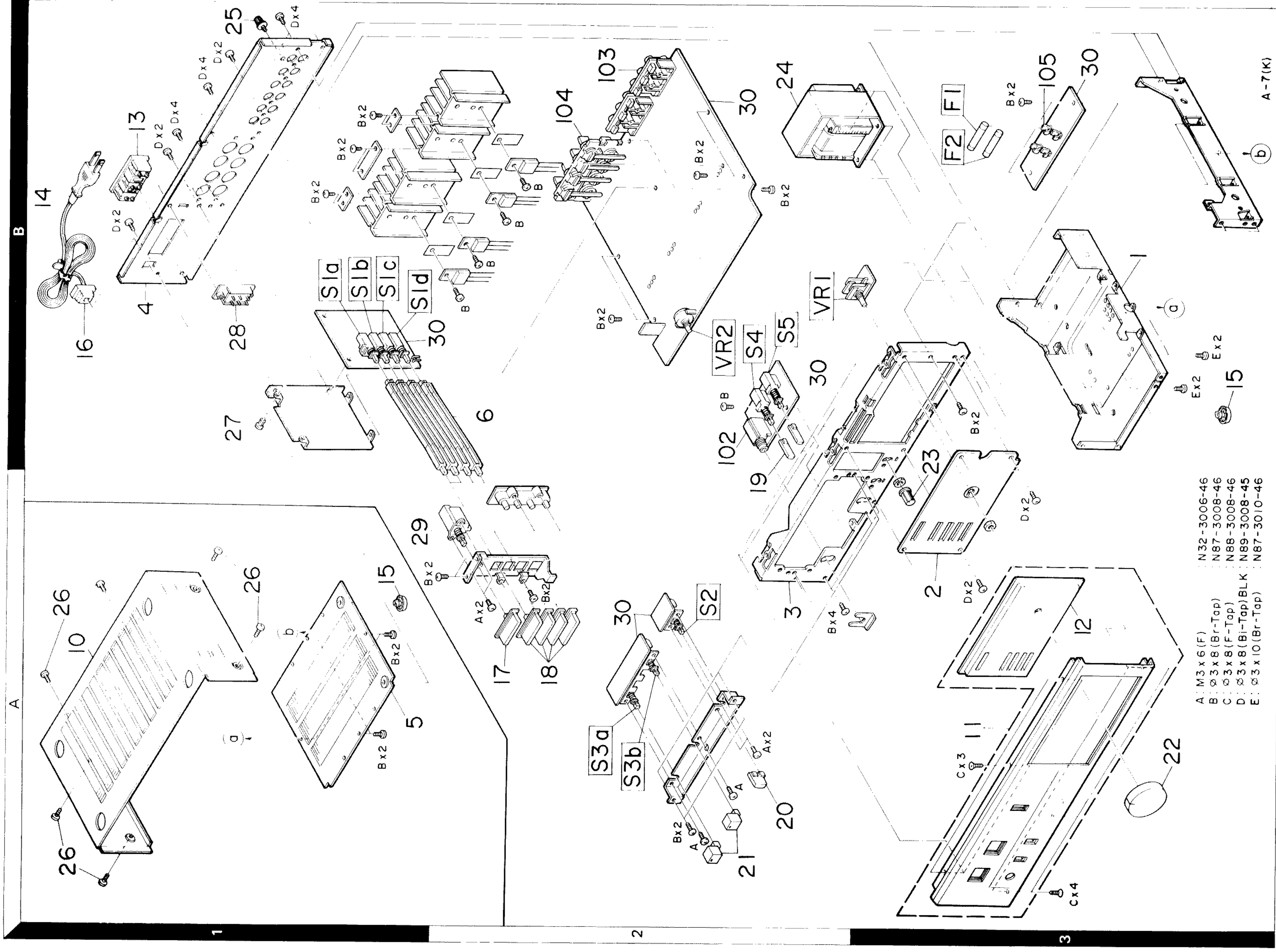


### STEREO INTEGRATED AMPLIFIER



\*Refer to parts list on page 4.

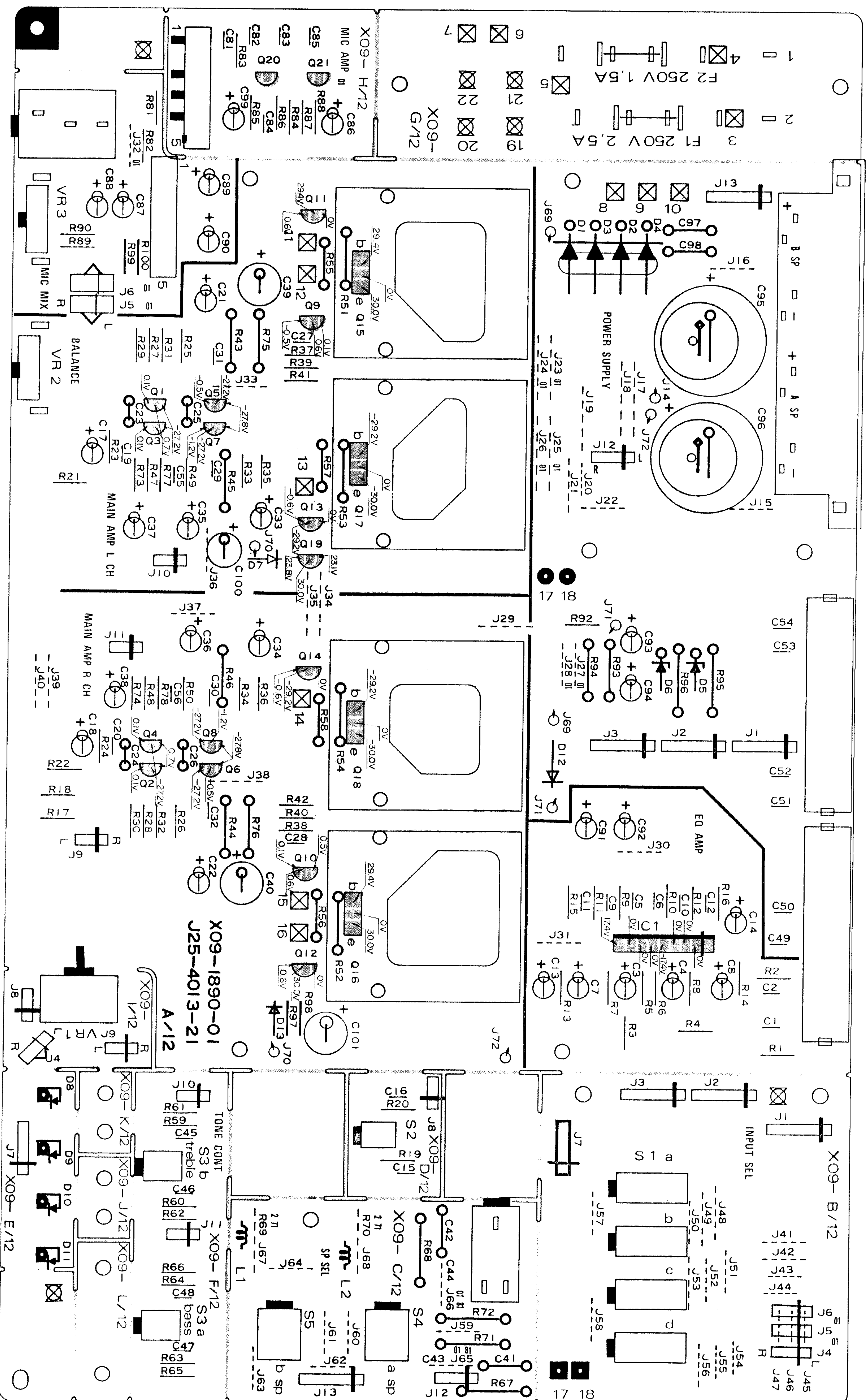
### EXPLODED VIEW



- A: M3 x 6 (F) : N32-3006-46
- B:  $\varnothing$  3 x 8 (Br-Tap) : N87-3008-46
- C:  $\varnothing$  3 x 8 (F-Tap) : N88-3008-46
- D:  $\varnothing$  3 x 8 (Bl-Tap)BLK : N89-3008-45
- E:  $\varnothing$  3 x 10 (Br-Tap) : N87-3010-46

PC BOARD

AUDIO (X09-1890-10) Component side view

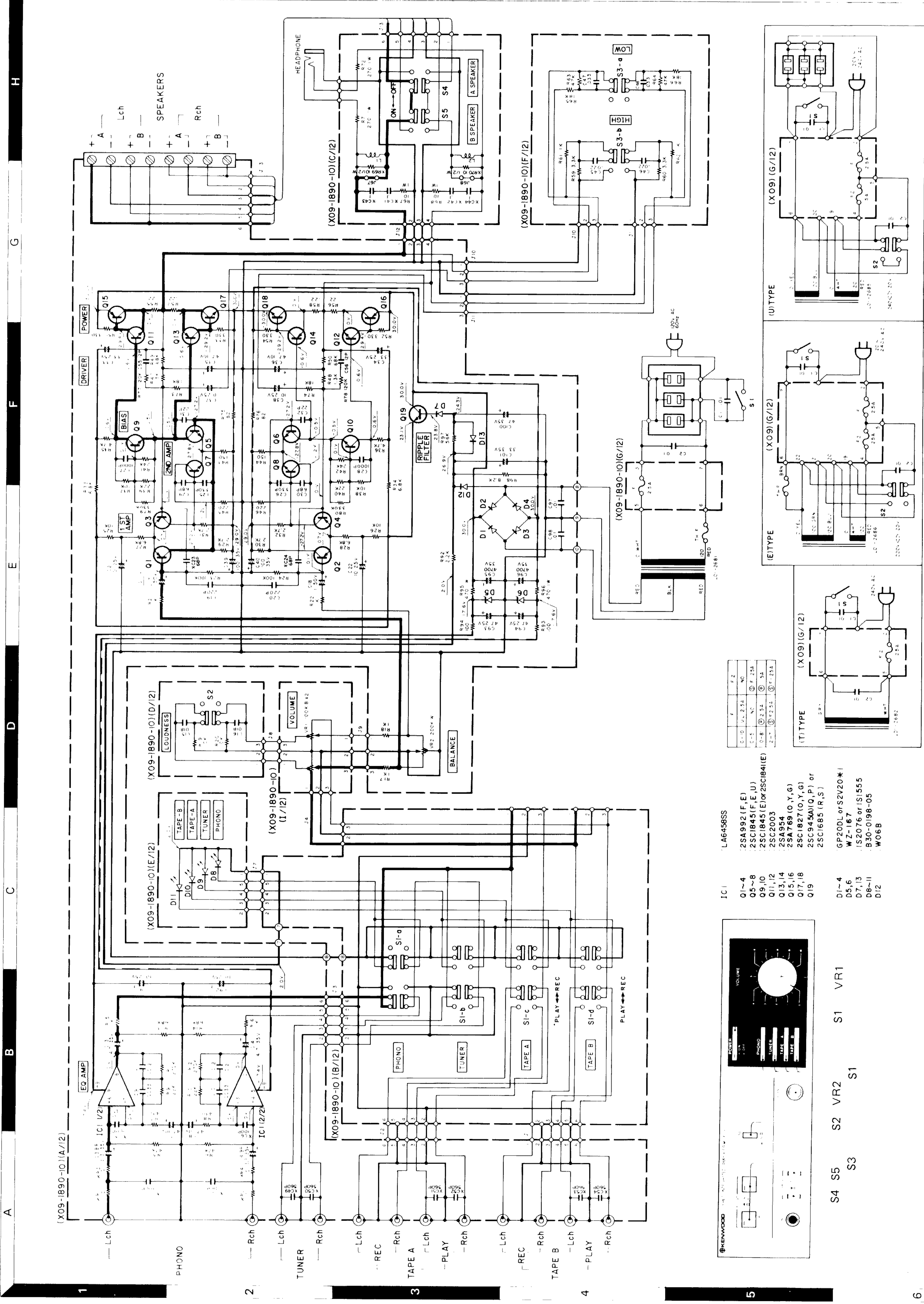


In this model, there are separated pc boards which were originally one. These separated pc boards can't be shipped independently.

Part No. of pc board	Separated portion no.
X09-1230-00 (A/3)	
X09-1230-00 (B/3)	
X09-1230-00 (C/3)	

In the example shown above, separated portion can't be ordered independently. In case only A/3 was ordered, pc board assy of X09-1230-00, which all A/3, B/3, C/3 included, will be shipped.

Refer to the schematic diagram for the values of capacitors and resistors. The PC board drawing is viewed from the side easy to check.



### SPECIFICATIONS

Power output  
 22 watts\* per channel minimum RMS, both channels driven, at 8 ohms from 40 Hz to 20,000 Hz with no more than 0.09% total harmonic distortion.

- Total Harmonic Distortion  
 AUX input to SPEAKER output  
 (40 Hz to 20,000 Hz).....0.09% at rated power  
 into 8 ohms
- (40 Hz to 20,000 Hz).....0.05% at 1/2 rated power  
 into 8 ohms
- PHONO input to SPEAKER  
 output (1 kHz).....0.05% at rated power with  
 VOLUME -20 dB  
 (60 Hz to 7 kHz = 4:1)  
 into 8 ohms
- Intermodulation Distortion.....0.09% at rated power  
 Damping Factor.....30:1 kHz into 8 ohms  
 Power Bandwidth.....20 Hz to 35,000 Hz  
 at 0.2% T.H.D.
- Frequency Response.....10 Hz to 60 kHz,  
 -0 dB, -3 dB
- Input Sensitivity/Impedance  
 Phono.....2.5 mV/50 k ohms  
 Tuner, Tape.....150 mV/30 k ohms
- Signal-to-Noise Ratio (IHF, A)  
 Phono.....71 dB for 2.5 mV input  
 77 dB for 5.0 mV input  
 100 dB for 150 mV input
- Tuner, Tape.....150 mV RMS  
 Phono Maximum Input Level.....1.000 Hz  
 T.H.D. 0.05% at 1.000 Hz
- Output Level/Impedance  
 Tape REC (Pin).....150 mV/16 ohms  
 Phono Frequency Response.....R.I.A.A. standard,  $\pm 0.3$  dB  
 20 Hz to 20,000 Hz
- Boost Control  
 Low.....+8 dB at 100 Hz  
 High.....+8 dB at 10 kHz
- Loudness Control.....+3 dB at 100 Hz  
 at -30 dB VOLUME level

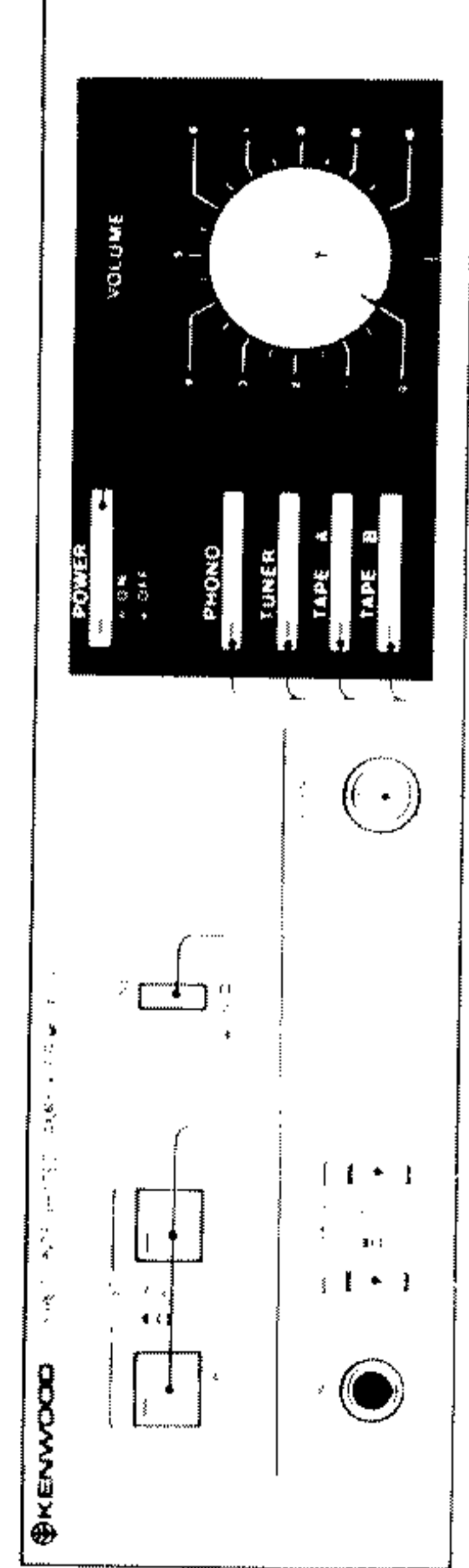
**GENERAL**  
 Power Requirements.....60 Hz 120 V U.S.A. & Canada  
 Model or 50/60 Hz 110-120 V  
 220-240 V, switchable  
 1.1 A IUL and CSA  
 95 W

**A.C. Outlet**.....20 W A.C. signal  
 Dimensions.....Switched 2. Unswitched 1  
 1. 108 mm (4.3 in.)  
 2. 237 mm (9.4 in.)  
 3. 108 mm (4.3 in.)  
 Weight.....2.3 kg (5.1 lb)

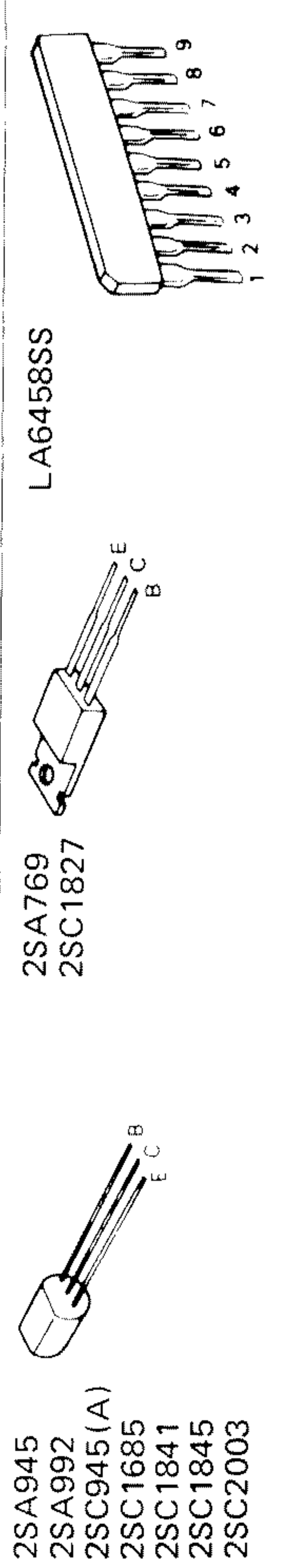
\* Transistor: Fairchild, Fujitsu, Toshiba, Sanyo, Teac, Regula  
 and other approved Output Caps. by Amplifier Co. S.A.

Kenwood follows a policy of continuous advancements in development. For this reason specifications may be changed without notice.  
 Kenwood strebt ständige Verbesserungen in der Entwicklung an. Daher bleiben Änderungen der technischen Daten jederzeit vorbehalten.  
 Kenwood poursuit une politique de progrès constants en ce qui concerne le développement. Pour cette raison, les spécifications sont sujettes à modifications sans préavis.

IC 1	LA6458SS
Q1-4	2SA992 (F, E)
Q5-8	2SC1845 (F, E, U)
Q9, 10	2SC1845 (E) or 2SC1841 (E)
Q11, 12	2SC2003
Q13, 14	2SA954
Q15, 16	2SA769 (O, Y, G)
Q17, 18	2SC1827 (O, Y, G)
Q19	2SC9345A (G, P) or 2SC1685 (R, S)
D1-4	GP200L or S2V20*1
D5, 6	WZ-167
D7, 13	1S2076 or 1S1555
D8-11	B30-0198-05
D12	W06B



**\* CAUTION:**  
 When using the substitution, make sure the transistor leads are inserted in the correct position



DC voltages are measured by a VOM of 20kΩ/V input impedance.

PARTS LIST

\*New Parts
Parts without Parts No. are not supplied.
Les articles non mentionnés dans le Parts No. ne sont pas fournis.
Teile ohne Parts No. werden nicht geliefert!

Table with columns: Ref. No., Parts No., Description, Re. marks. Rows include items like NO STOCK, MAIN CHASSIS, METALLIC CABINET, FRONT PANEL ASSY, etc.

PARTS LIST

Table with columns: Ref. No., Parts No., Description, Re. marks. Rows include items like BUSHING, POWER TRANSFORMER, SLIDE SWITCH, AUDIO AMP, etc.

Table with columns: Ref. No., Parts No., Description, Re. marks. Rows include items like ELECTRO 10UF, ELECTRO 100UF, ELECTRO 47UF, AUDIO AMP, etc.

E: Scandinavia & Europe H: Audio Club K: USA P: Canada
S: South Africa T: England U: FX (Far East, Hawaii)
DE: AAFES (Europe) X: Australia M: Other Areas

For AUDIO AMP:
K: X09-1890-10 U: X09-1890-81
T: X09-1890-51 E: X09-1892-71

For AUDIO AMP:
K: X09-1890-10 U: X09-1890-81
T: X09-1890-51 E: X09-1892-71

TRIO-KENWOOD CORPORATION
A product of

Kenwood U.S.A. Corporation
1315 E. Main Street, Dept. CA-100, Gardena, CA 90248, U.S.A.
TRIO-KENWOOD ELECTRONICS, LTD.
Shing Shuiwai Building, 7/F, 2, Avenue Shing Shuiwai, Tokyo 150, Japan